

Panasonic®

Quick Reference Guide

Digital DSS Console

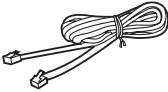
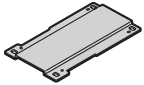
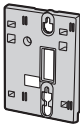

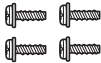
Model No. **KX-DT390**

Thank you for purchasing a Digital DSS Console. Please read this manual carefully before using this product and save this manual for future use. This manual is designed to be used with your Digital DSS Console and a Panasonic PBX.

The Digital DSS Console can be used with the following Panasonic Digital Proprietary Telephones (DPTs): KX-DT333, KX-DT343, and KX-DT346.

The Digital DSS Console must be connected directly to the main unit.

Accessories (included)

| | | |
|--|---|--|
| <input type="checkbox"/> Telephone Line Cord: 1  | <input type="checkbox"/> Plate: 1  | <input type="checkbox"/> Wall Mounting Adaptor*1: 1  |
| <input type="checkbox"/> Screws for wall: 2  | <input type="checkbox"/> Screws for plate: 4  | |

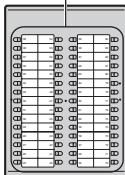
*1 This telephone comes with the wall mounting adaptor already attached. To remove the adaptor, refer to step 1 on page 4.

Location of Controls

DSS Buttons with Busy Lamp Field (BLF):
To access an extension, simply press a DSS button.

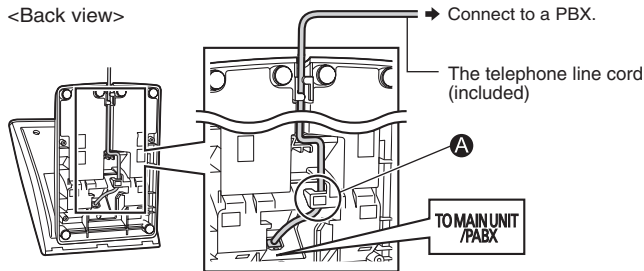
These buttons also can be assigned for the One-touch Dialing and reassigned to other features.

The BLF indicates the current status of the corresponding extension.



Connection

<Back view>



CAUTION:

Ensure the cord is inserted in the grooves and the hook (A) to prevent damage to the connector or the cord itself.

Operation Board Angle Adjustment

The angle of the operation board can be set to one of eight angles (level 1 = 0°, level 8 = 45°).

CAUTION:

Hold the operation board until the operation board is secured at the desired angle. Make sure you do not pinch your fingers when raising or lowering the operation board.

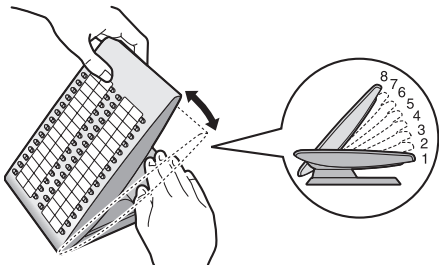
To raise:

Gently lift the operation board one level at a time.

Operation Board Angle Adjustment

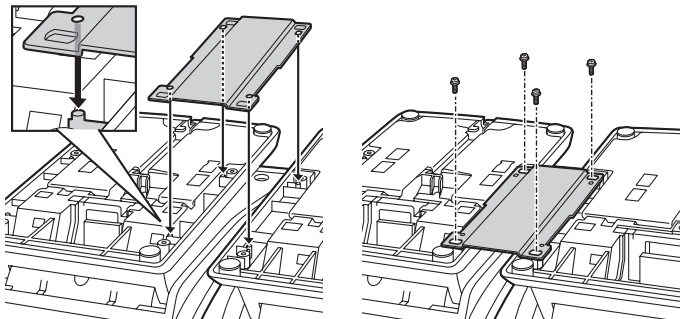
To lower:

Raise the operation board to level 8. Next, with one hand on the base of the unit, lift the operation board again to release the latch, then slowly push the operation board down to level 1. If the operation board cannot be lowered to level 1, repeat this step.



Attaching a DPT

1. Fit the protrusions on the KX-DT390 and a DPT into the 4 holes on the plate (included).
2. Attach the plate with the 4 screws (included).



Wall Mounting

CAUTION:

Do not mount this unit on a wall while attached to a DPT. Doing so may damage the wall mounting adaptor or, may cause the unit to fall, possibly resulting personal injury.

1. Remove the wall mounting adaptor from the unit as shown.

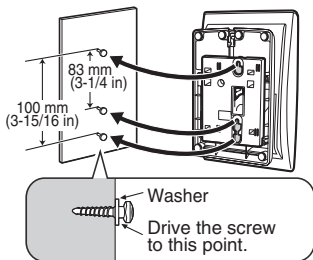
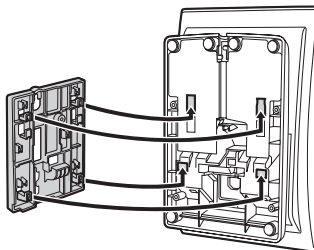
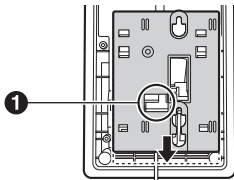
2. Set the operation board to level 1, then connect and secure the telephone line cord.

3. Attach the wall mounting adaptor as shown.

- Make sure the cord is not pinched by the wall mounting adaptor. When running the cord from the top of the unit, look through the opening in the wall mounting adaptor (1) to confirm that the cord is not being pinched.

4. Drive the 2 screws (included) into the wall either 83 mm (3-1/4 in) or 100 mm (3-15/16 in) apart, and mount the unit on the wall.

- You can find a wall mounting template on page 8.
- Make sure that the wall that the unit will be attached to is strong enough to support the unit (approx. 1 kg [2.2 lb]).
- Make sure the cord is securely fastened to the wall.
- When this unit is no longer in use, make sure to detach it from the wall.



When using a KX-DT390 Digital DSS Console, keep the following conditions in mind.

- If you are having problems making calls, unplug the extension line and connect a known working Digital DSS Console. If the known working DSS Console operates properly, have the defective DSS Console repaired by an authorized Panasonic factory service center. If the known working DSS Console does not operate properly, check the PBX and the internal extension wiring.
- Wipe the unit with a soft cloth. Do not clean the unit with abrasive powders or with chemical agents such as benzene or thinner.

Take special care to follow the safety suggestions listed below.

Installation

Environment

- 1) Do not use this unit near water, for example, near a bathtub, washbowl or sink. Damp basements should also be avoided.
- 2) Keep the unit away from heating appliances and devices that generate electrical noise, such as fluorescent lamps, motors, and televisions. These noise sources can interfere with the performance of the unit. It also should not be placed in rooms where the temperature is less than 5 °C (41 °F) or greater than 40 °C (104 °F).
Allow 10 cm (3-15/16 in) clearance around the unit for proper ventilation.

Placement

- 1) Do not place heavy objects on top of this unit.
- 2) Care should be taken so that objects do not fall onto, and liquids are not spilled into, the unit. Do not subject this unit to excessive smoke, dust, moisture, mechanical vibration, shock, or direct sunlight.
- 3) Place the unit on a flat surface.

WARNING:

TO PREVENT POSSIBLE FIRE OR ELECTRIC SHOCK, DO NOT EXPOSE THIS UNIT TO RAIN OR MOISTURE.

DISCONNECT THE TELEPHONE LINE CORD FROM THIS PRODUCT IF THIS PRODUCT EMITS SMOKE, AN ABNORMAL SMELL OR MAKES UNUSUAL NOISE. THESE CONDITIONS CAN CAUSE FIRE OR ELECTRIC SHOCK. CONFIRM THAT SMOKE HAS STOPPED AND CONTACT AN AUTHORIZED SERVICE CENTER.

Important Information

When you ship the product:

Carefully pack and send it prepaid, adequately insured and preferably in the original carton. Attach a postage-paid letter, detailing the symptom to the outside of the carton.

DO NOT send the product to the Executive or Regional Sales offices. They are NOT equipped to make repairs.

Product service:

Panasonic factory service centers for this product are listed in the service center directory.

Consult your authorized Panasonic dealer for detailed instructions.

Important Safety Instructions

When using this unit, basic safety precautions, including those below, should always be followed to reduce the risk of fire, electric shock and injury to persons.

1. Do not use the unit near water, for example, near a bathtub, wash bowl, kitchen sink or laundry tub, in a wet basement, or near a swimming pool.
2. Avoid using a wired telephone during an electrical storm. There is a remote risk of electric shock from lightning.
3. Do not use a telephone in the vicinity of a gas leak to report the leak.

SAVE THESE INSTRUCTION

FCC Information

F.C.C. REQUIREMENTS AND RELEVANT INFORMATION

This equipment has been tested and found to comply with the limits for a Class B digital device, pursuant to Part 15 of the FCC Rules. These limits are designed to provide reasonable protection against harmful interference in a residential installation.

This equipment generates, uses, and can radiate radio frequency energy and, if not installed and used in accordance with the instructions, may cause harmful interference to radio communications. However, there is no guarantee that interference will not occur in a particular installation. If this equipment does cause harmful interference to radio or television reception, which can be determined by turning the equipment off and on, the user is encouraged to try to correct the interference by one or more of the following measures:

- Reorient or relocate the receiving antenna.
- Increase the separation between the equipment and receiver.
- Connect the equipment into an outlet on a circuit different from that to which the receiver is connected.
- Consult the dealer or an experienced radio/TV technician for help.

CAUTION:

To assure continued compliance with FCC rules, do not make any unauthorized changes or modifications to this equipment would void the user's authority to operate this device.

When programming emergency numbers and/or making test calls to emergency numbers:

- 1) Remain on the line and briefly explain to the dispatcher the reason for the call before hanging up.
- 2) Perform such activities in the off peak hours, such as early morning hours or late evenings.

Customer Information

If trouble is experienced with this equipment KX-DT390, for repair or warranty information, please contact:

Panasonic Service and Technology Company-BTS Center
415 Horizon Drive Bldg. 300 Ste. 350-B
Suwanee, GA 30024-3186

If the equipment is causing harm to the telephone network, the telephone company may request that you disconnect the equipment until the problem is resolved.

